

FEATURES

The FM filter is designed to clean impurities from combustible gases up to 2 or 6 bar depending on the model. They are equipped with a washable filter element 50µ from DN15 to DN100, and 10µ from DN125 to DN300. A G1/8" upstream pressure tap is available as standard.

AVAILABLE MODELS

Threaded connections, from ½" to 2"

PN16 flange connections, from ND50 to ND300

PS 2 bar and PS 6 bar: see table page 4

OPTIONAL FEATURES

Filter element 20µ or 10µ

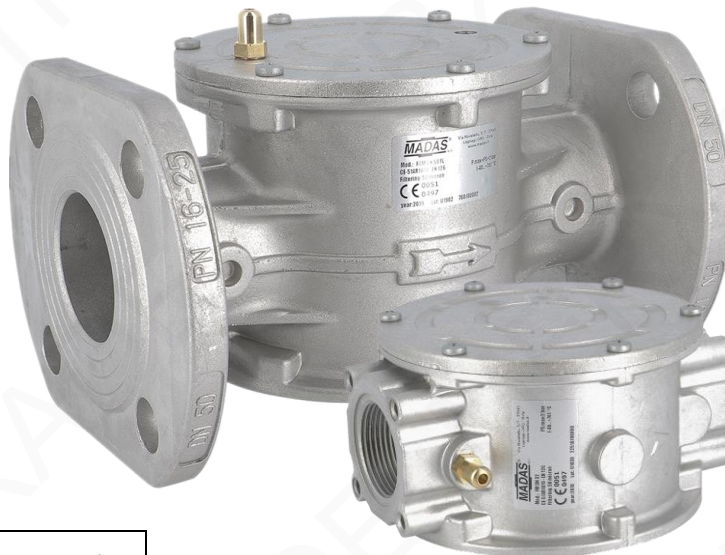
Downstream pressure tap

NPT threaded connections

#150 Flanged Connections

BIOGAS execution

Fouling indicator differential pressure gauge



LIMITS OF USE

Pressure rating: PS	2 bar or 6 bar*
Ambient temperature: TS	-40°C / +70°C

* Depending on model (see table on page 4)



WET PARTS

ND	15 - 50	65 - 100	125 - 150	200	250 - 300
Body	Aluminium EN AB 46100			Aluminium EN 42100 T6	Aluminium EN AB 42000
Cover & bottom	Aluminium EN AB 46100		S355 J2+N Varnished steel		
Seals	NBR 70SH				
Pressure tap	Brass (aluminium 11S on biogas execution)				

DIRECTIVES AND MANUFACTURING STANDARDS

Subject	Standard	Subject	Standard
Gas regulation UE	2016/426	PED directive	2014/68/UE
Product reference regulation	CE 90/396 selon EN 88-2	Threaded connections	EN 10226
Gas standard	EN 13611 (Gr 2)	Flanged connections	EN 1092-1

SPARE PARTS

ND	Filtering	Filter cartridge
ND 15 to 25	50 µm	980915M
ND 32 & 40		980916M
ND 50		980917M
ND 65 & 80		980918M
ND 100		980919M

ND	Filtering	Filter cartridge
ND 125 & 150	10µ	980932M
ND 200		980930M
ND 300		980931M

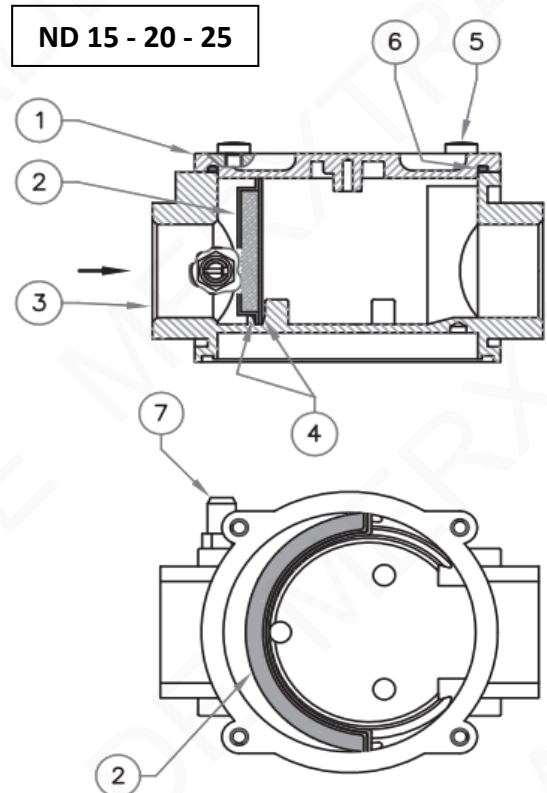
Information given as an indication only, and subject to possible modifications

CONSTRUCTION ND 15 TO 50

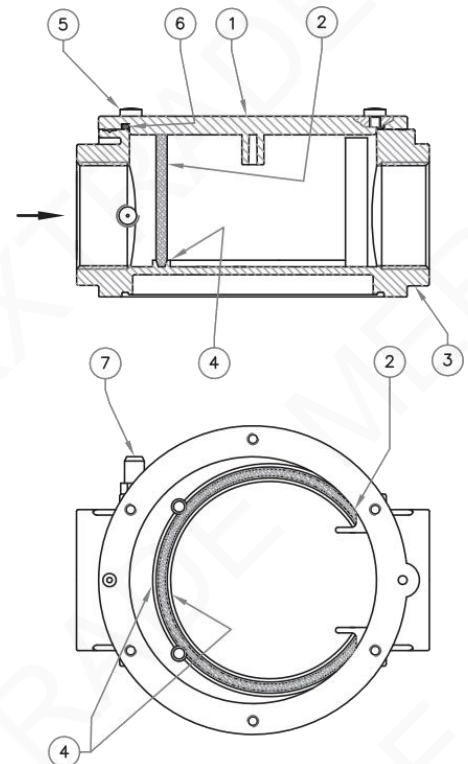
N°	Item
1	Cover
2	Filtering element
3	Body
4	Guide for the filter element
5	Cover fixing screws
6	Cover sealing O-ring
7	Pressure tap

FILTER ELEMENT MAINTENANCE

- Shut off the gas supply
- Make sure there is no pressurized gas in the piping
- Remove cover 1
- Remove the filter element and check its condition
- Clean the element or replace it if necessary
- Insert the filter between the guides 4 (see diagram)
- Refit the lower cover with a new O-ring 6
- Make sure the O-ring is installed correctly
- Tighten the cover by tightening the star screws
- Check the tightness of the cover



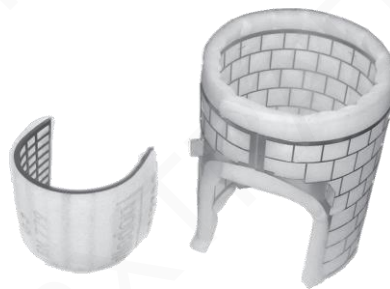
ND 32 - 40 - 50



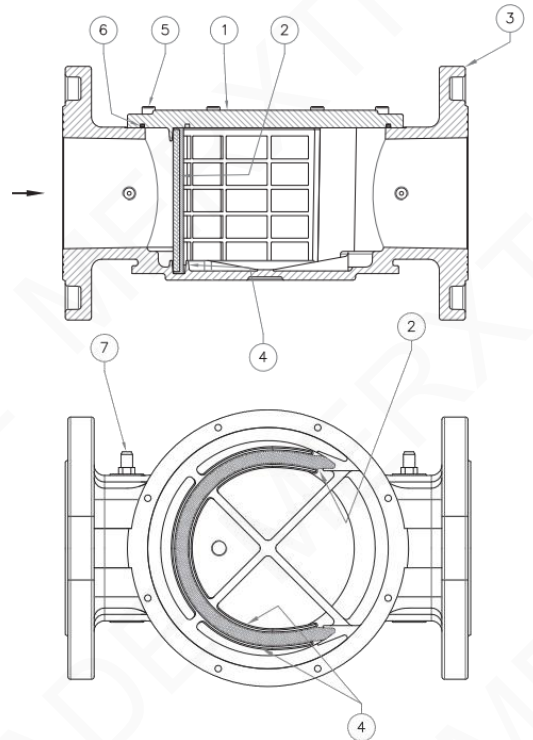
Information given as an indication only, and subject to possible modifications

CONSTRUCTION ND 65 TO 300

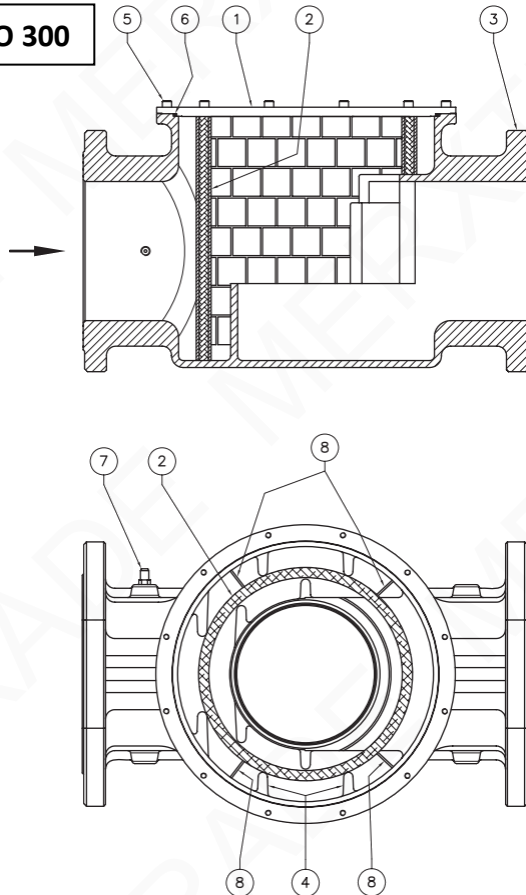
N°	Item
1	Cover
2	Filtering element
3	Body
4	Guide for the filter element
5	Cover fixing screws
6	Cover sealing O-ring
7	Pressure tap
8	Fins



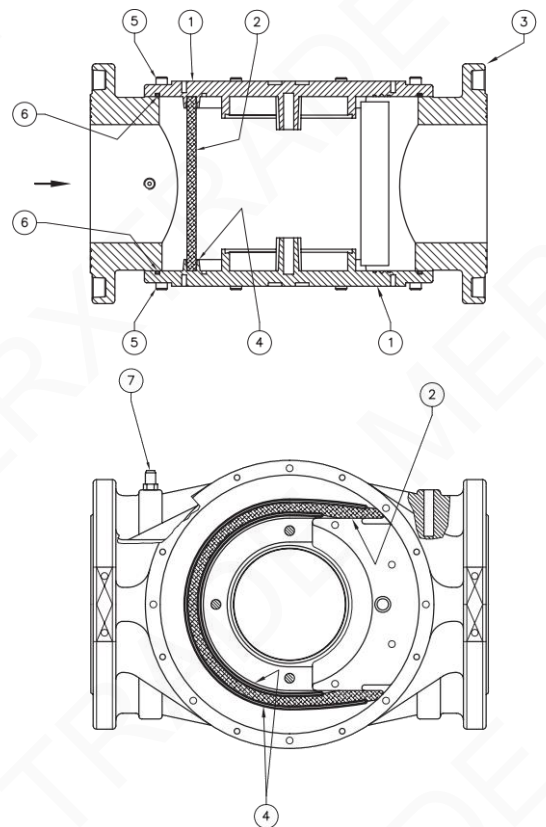
ND 65 & 80



ND 125 TO 300



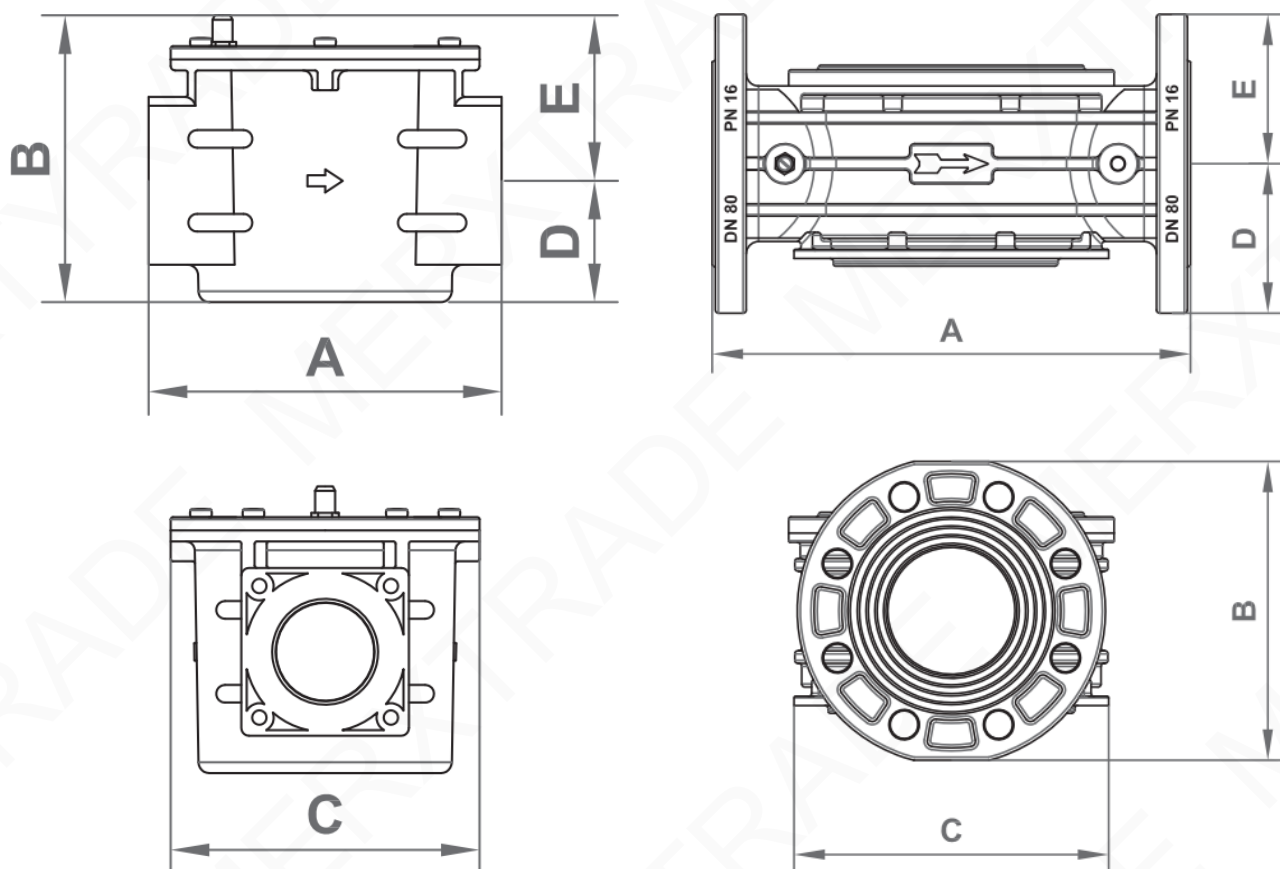
ND 100



Information given as an indication only, and subject to possible modifications

GAS FILTER 2 & 6 BAR

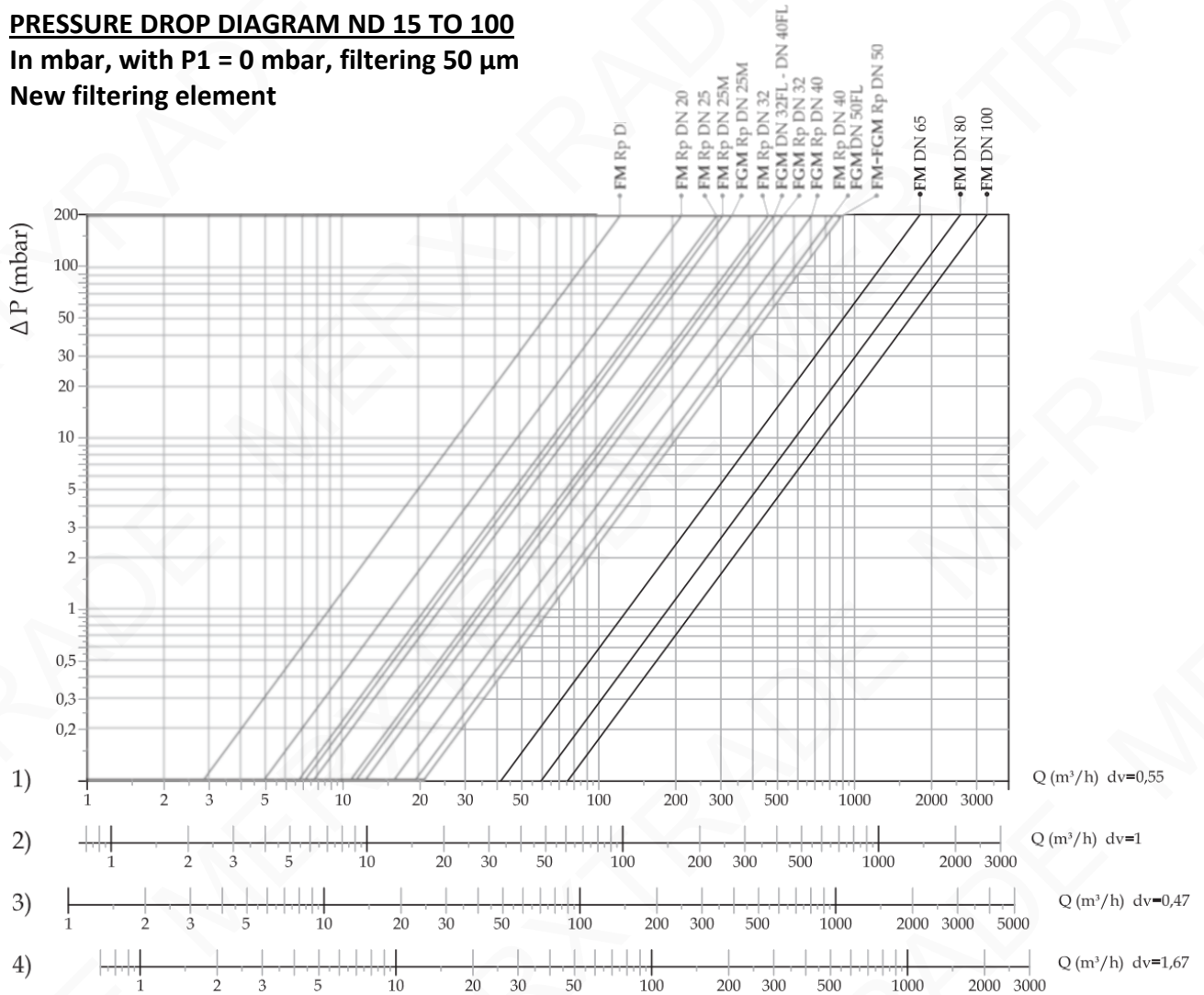
ND 15 TO 300 – FM

OVERALL DIMENSIONS (mm)


FF	ND	PS	Nb of holes	A	B (=D+E)	C	D	E
1/2" 3/4" 1"		2 bar	-	120	71	94	29,5	41,5
		6 bar	-	120	75	94	29,5	45,5
		2 - 6 bar	-	160	87	140	37	50
1"1/4		2 - 6 bar	-	160	87	140	37	50
1"1/2		2 - 6 bar	-	160	113	140	45,5	67,5
	50	2 - 6 bar	4	230	152	165	67,5	84,5
	65	2 - 6 bar	4	290	180	211	90	90
	80	2 - 6 bar	8	310	194	211	97	97
	100	2 - 6 bar	8	350	210	260	105	105
	125	2 - 6 bar	8	480	305	328	126	179
	150	2 - 6 bar	8	480	309	328	130	179
	200	2 - 6 bar	12	600	382	450	165	217
	250	2 - 6 bar	12	673	457	510	198	259
	300	2 - 6 bar	12	737	504	557	220	284

Information given as an indication only, and subject to possible modifications

PRESSURE DROP DIAGRAM ND 15 TO 100
In mbar, with P1 = 0 mbar, filtering 50 µm
New filtering element

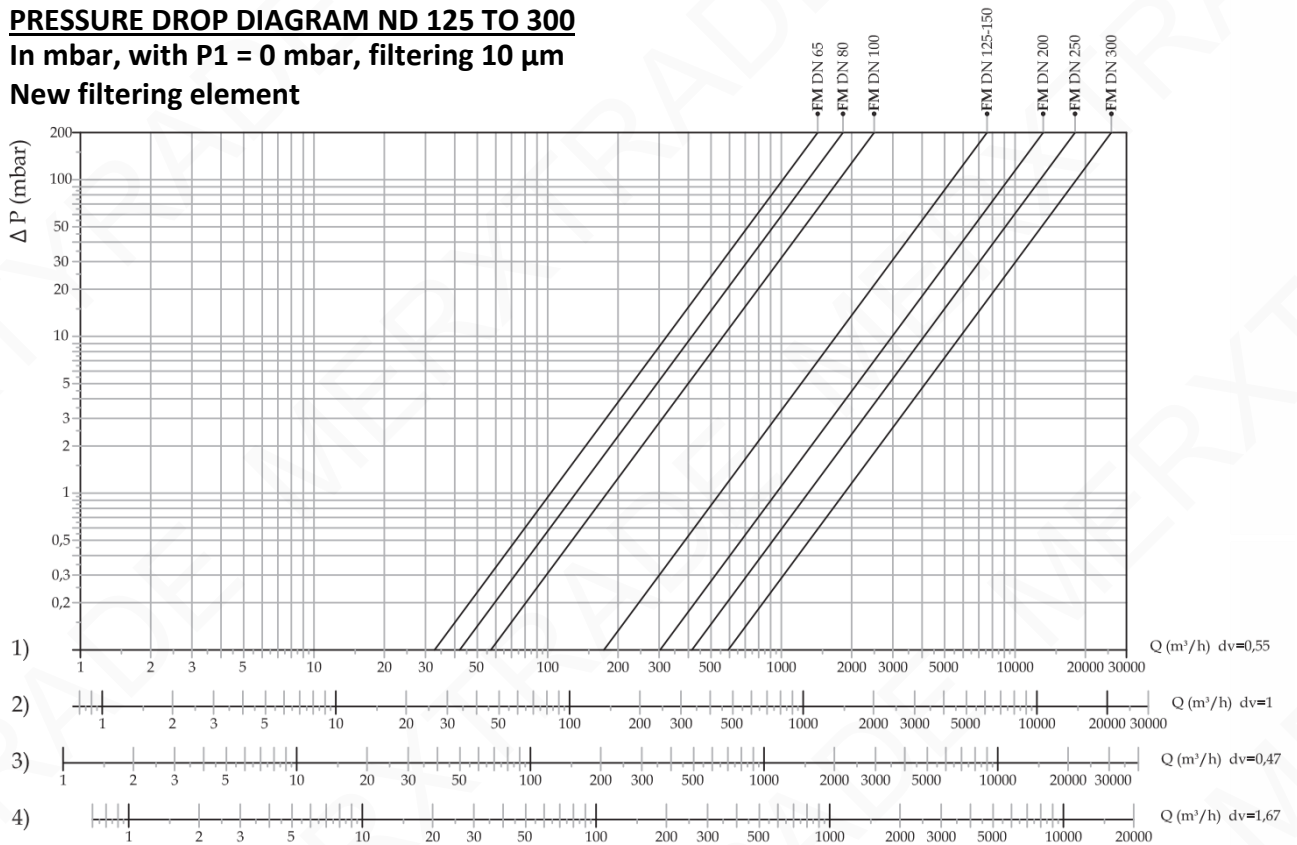


- 1) Methane (natural gas)
- 2) Air
- 3) Town gas
- 4) GPL (butane – propane)

dv = density relative to air

Information given as an indication only, and subject to possible modifications

PRESSURE DROP DIAGRAM ND 125 TO 300
In mbar, with P1 = 0 mbar, filtering 10 µm
New filtering element



- 1) Methane (natural gas)
- 2) Air
- 3) Town gas
- 4) GPL (butane – propane)

$dv = \text{density relative to air}$

Information given as an indication only, and subject to possible modifications